



DUAL-TEMPERATURE WINE DISPENSER

PRO-LINE™ WINE 59" - 8 KEG / 6 FAUCET

- Designed by wine-industry experts for performance and value.
- Two dedicated temperature zones for optimal wine dispensing.
- Two Finesse wine fonts with 3 faucets each, drip trays included.
- Commercial grade construction - built to last.



MDD58W-E-B

Black



Dual-Temperature: Built In Digital Thermostats




Listed by Edison Testing Laboratories.
Conforms to UL & NSF Standards.

Tap handles not included
Tapping hardware not included

www.micromatic.com • 1 (866) 327-4159

PRO-LINE™ WINE 59" - 8 KEG

Job Number: _____ Location: _____

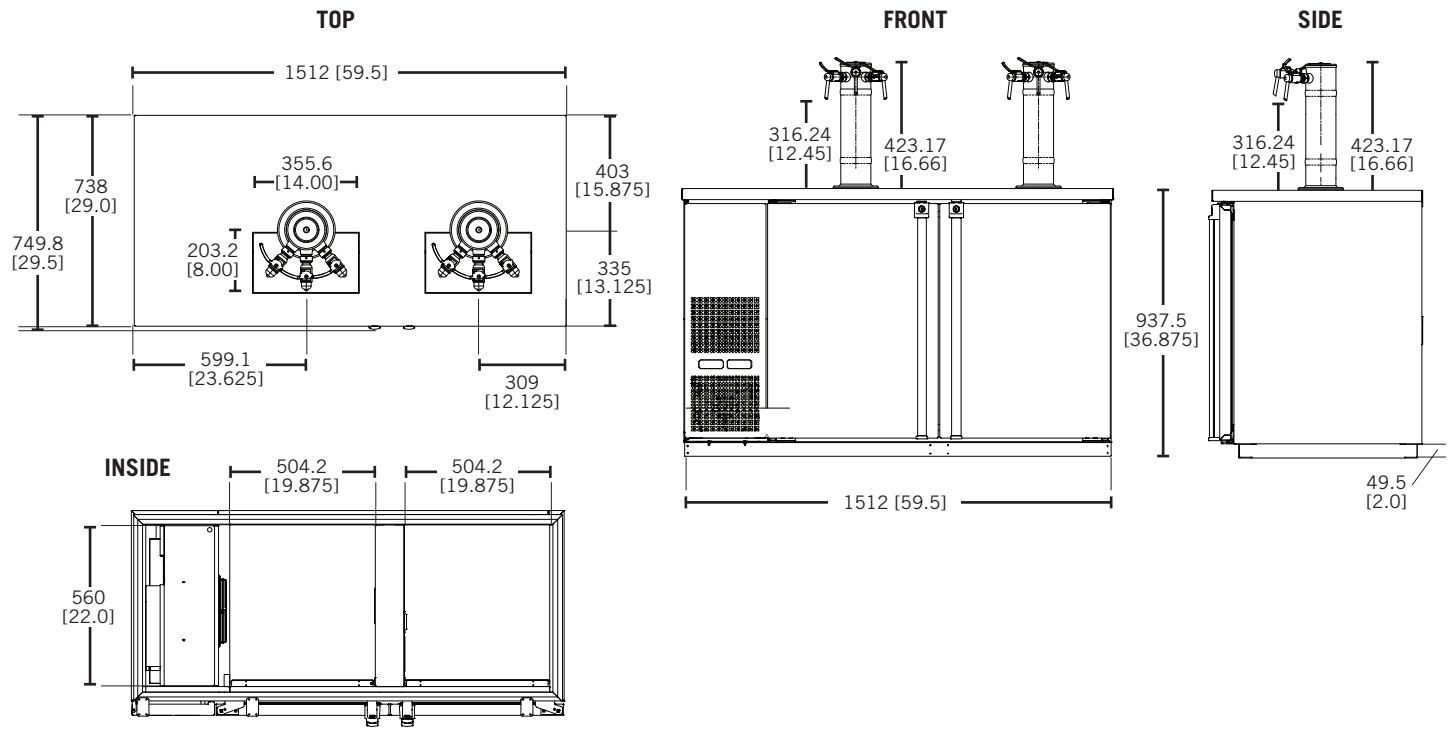
Part No.	Finish	Faucets	Doors	Shipping Weight
 MDD58W-E-B	Black	6	2	145 kg 318 lbs

Operating Performance

Capacity of 20 Liter Kegs	8 (4 per zone)	Running Amps	3.0
Cubic Feet (liters)	TBD	Compressor HP	1/3
Holes for Wine Fonts	2	Voltage	115/60/1
Hole Diameter	3"	Plug Type	NEMA-5-15P
Color-coded Digital Thermostats	2 (Blue LED-Whites & Red LED-Reds)	Cord Length	8'
Temperature Range - Whites	42-48° F (5.5 - 8.8° C)	Refrigerant	R290
Temperature Range - Reds	55-65° F (12.7 - 18.3° C)	Charge oz	4.9
Approval	ETL Listed	Working High/Low Pressure	300 psig / 150 psig

Exterior	18 gauge stainless steel top, 22 gauge solid doors, 24 gauge steel front, sides and back
Interior	20 gauge stainless steel floor and walls
Ventilation	Front ventilated
Plumbing	Automatic condensate evaporator, no drain connection required. Evaporator condensate has been plumbed to a condensate pan located in the compressor housing
Insulation	Foamed-in-place using high density, CFC-free polyurethane; 2" top, walls and floor
Accessories	Casters or 6" fixed legs

Dimensions




Toll-Free: 1-866-327-4159
www.micromatic.com

West
 1791 Bahama St.
 Northridge, CA 91324
 Tel. (818) 701-9765
 Fax. (818) 701-9844

Central
 10726 North Second St.
 Machesney Park, IL 61115
 Tel. (815) 968-7557

Southeast
 2386 Simon Ct.
 Brooksville, FL 34604
 Tel. (352) 799-6331

Northeast
 4601 Saucon Creek Rd.
 Center Valley, PA 18034
 Tel. (610) 625-4464
 Fax. (610) 625-4466