



FLEXIDRAFT™ DIRECT DRAW DISPENSER

PRO-LINE™ 17-1/2" - 1 KEG

- Small kegerator footprint.
- FlexiDraft™: A new beer line with every keg change.
- Rugged keg slide - extends floor life.
- Commercial grade construction - built to last.
- Digital thermostat.



MDD17-E-FD

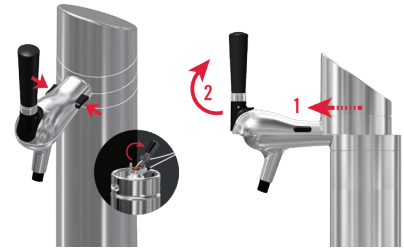
Black

(Includes: FlexiDraft™ tower, coupler and 10 beer lines)

CHANGING THE BEER LINE:

STEP 1

Open the FlexiDraft™ tower by pressing the two buttons. (Make sure the keg coupler is disconnected first.) The upper part will move forward by itself, then lift.



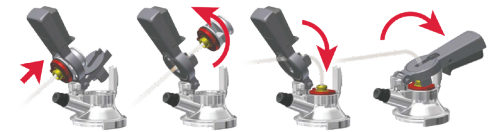
STEP 2

Drop the keg coupler end of the one-way beer line into the tower column. Fix the beer outlet end to the faucet nozzle. Close the tower lid; it will snap securely into place.



STEP 3

Push the beer end of the one-way line into the keg coupler. Place the keg coupler on the new keg and press the handle down to tap the keg.



Listed by Edison Testing Laboratories.
Conforms to UL & NSF Standards.

www.micromatic.com • 1 (866) 327-4159

PRO-LINE™ 17-1/2" - 1 KEG

Job Number: _____ Location: _____

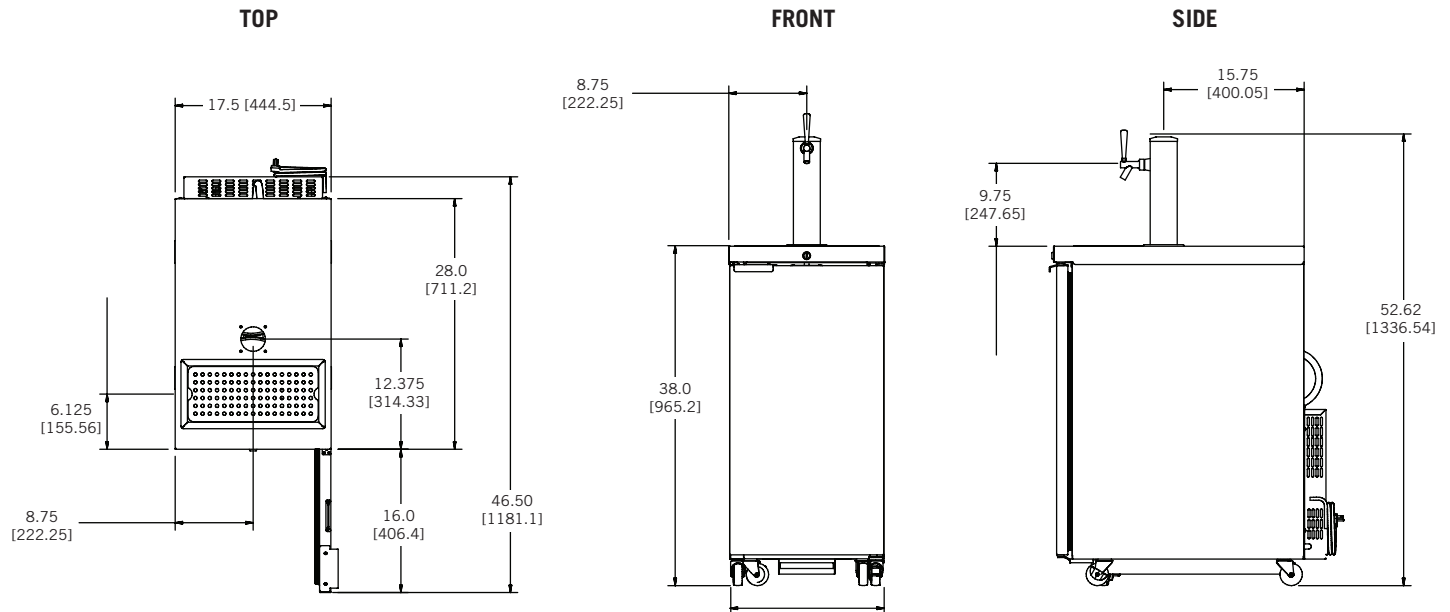
Tower Choices	Description	Finish	Doors	Shipping Weight
<input type="checkbox"/> MDD17-E-FD	SLIM17 with FlexiDraft™ tower	Black	1	63 kg 138 lbs
INCLUDED EQUIPMENT: (1) FD-C-D D System coupler (10) FD-H-D FlexiDraft™ D-System hose assemblies (1) 842 CO2 regulator, with hose and clamps				

Operating Performance

Capacity of 1/6th Kegs	2	Running Amps	1.5
Cubic Feet (liters)	TBD	Voltage	115/60/1
Number of Draft Towers	1	Plug Type	NEMA-5-15P
Number of Faucets	1	Cord Length	8'
Approval	ETL Listed	Refrigerant	R290
Compressor HP	1/10	Charge oz	2.8
BTUs	850	Thermostat	Digital

Exterior	18 gauge stainless steel top, 22 gauge solid doors, 24 gauge steel front, sides and back. Black Vinyl: Front, sides.
Interior	20 gauge stainless steel floor, reinforced frame, 24 gauge galvanized walls
Ventilation	Back ventilated
Plumbing	Drain Tray: 3/4" NPT drain includes hose and drain bottle. Automatic condensate evaporator, no drain connection required. Evaporator condensate has been plumbed to a condensate pan located in the compressor housing.
Insulation	Foamed-in-place using high density, CFC-free polyurethane; 2" top, walls and floor
Casters	Standard

Dimensions



 **MICRO MATIC**
 Toll-Free: 1-866-327-4159
www.micromatic.com

West
 19791 Bahama St.
 Northridge, CA 91324
 Tel. (818) 701-9765
 Fax. (818) 701-9844

Central
 10726 North Second St.
 Machesney Park, IL 61115
 Tel. (815) 968-7557
 Fax. (815) 968-0363

Southeast
 2386 Simon Ct.
 Brooksville, FL 34604
 Tel. (352) 799-6331
 Fax. (352) 796-2429

Northeast
 4601 Saucon Creek Rd.
 Center Valley, PA 18034
 Tel. (610) 625-4464
 Fax. (610) 625-4466