



DIRECT DRAW DISPENSER

PRO-LINE™ 25" - 1 KEG

- Designed by beer-industry experts for performance and value.
- Digital thermostat for precision temperature control.
- Full-size drain tray - larger work area and improved hygiene.
- Commercial grade construction - built to last.



MDD23-E
Black



*Adjustable Digital Thermostat!
Easy to read exterior mounted*



Listed by Edison Testing Laboratories.
Conforms to UL & NSF Standards.

www.micromatic.com • 1 (866) 327-4159

PRO-LINE™ 25" - 1 KEG

Job Number: _____ Location: _____

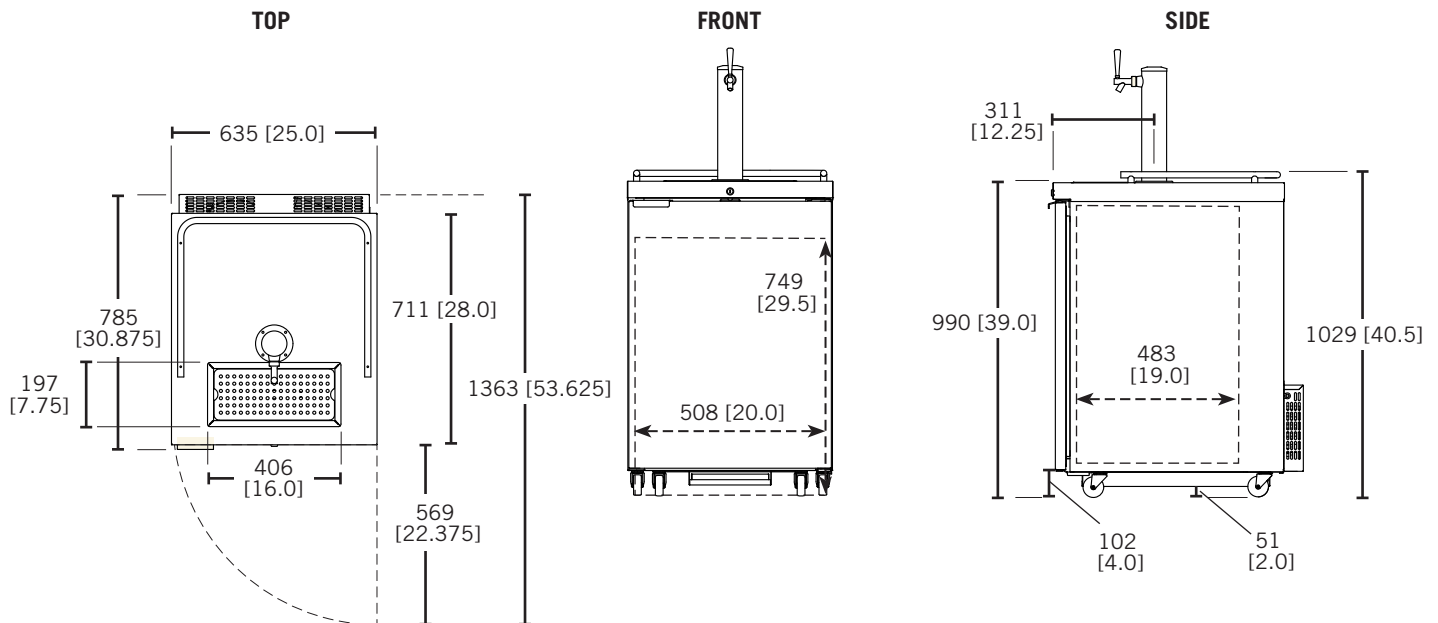
Part No.	Finish	Doors	Shipping Weight
<input type="checkbox"/> MDD23-E	Black	1	78 kg 172 lbs

Operating Performance

Capacity of 1/2 Kegs	1	Running Amps	1.5
Cubic Feet (liters)	8.4 (239)	Voltage	115/60/1
Number of Draft Towers	1	Plug Type	NEMA-5-15P
Number of Faucets	1	Cord Length	8'
Beer Tower Approval	NSF 7.0 and NSF 18	Refrigerant	R290
Approval	ETL Listed	Charge oz	2.8
Compressor HP	1/10	Thermostat	Digital

Exterior	All Models: 18 gauge stainless steel top, 22 gauge solid doors, 24 gauge steel front, sides and back. Black Vinyl Models: Front, sides. Stainless Steel Models: Front, sides
Interior	20 gauge stainless steel floor, reinforced frame, 24 gauge galvanized walls
Ventilation	Back ventilated
Plumbing	Drain Tray: 3/4" NPT drain includes hose and drain bottle. Automatic condensate evaporator, no drain connection required. Evaporator condensate has been plumbed to a condensate pan located in the compressor housing.
Insulation	Foamed-in-place using high density, CFC-free polyurethane; 2" top, walls and floor.
Casters	Standard

Dimensions



 **MICRO MATIC**
 Toll-Free: 1-866-327-4159
www.micromatic.com

West
 19791 Bahama St.
 Northridge, CA 91324
 Tel. (818) 701-9765
 Fax. (818) 701-9844

Central
 10726 North Second St.
 Machesney Park, IL 61115
 Tel. (815) 968-7557
 Fax. (815) 968-0363

Southeast
 2386 Simon Ct.
 Brooksville, FL 34604
 Tel. (352) 799-6331
 Fax. (352) 796-2429

Northeast
 4601 Saucon Creek Rd.
 Center Valley, PA 18034
 Tel. (610) 625-4464
 Fax. (610) 625-4466