

A NEW BEER LINE
WITH EVERY KEG CHANGE

FlexiDraft™



EVERYTHING
ON TAP



REVOLUTIONIZING THE WORLD OF BEER.

FlexiDraft™

Since 2013, FlexiDraft™ has pioneered a unique solution to a new beer line with every new keg. FlexiDraft™ utilizes a one-way beer line which eliminates the problems common to conventional draft beer systems: hygiene issues, and the labor and cost for cleaning and maintenance.

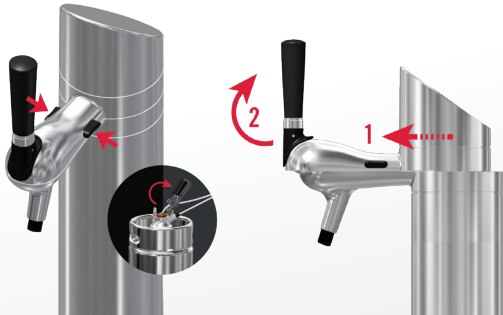
Because the beer line in FlexiDraft™ must be changed along with the keg, the risk of contamination is eliminated and thus cleaning can be reduced to a minimum. In addition, FlexiDraft™ saves on the consumption of water, cleaning detergents, travel time and labor of cleaning beer lines.

FlexiDraft™ is a global success and can be found in more than 5,000 outlets across the world - and growing! This widespread popularity is due to the FlexiDraft™ hygienic mission: **ensuring fresh draft beer with every tapped keg. It is ideal for remote, hard to reach retailers and home users.**

A detailed view of the FlexiDraft beer line assembly. It features a clear, flexible plastic tube that is coiled. At one end, there is a white plastic keg tap with a green and yellow seal. At the other end, there is a clear plastic faucet with a black handle. The entire assembly is set against a white background.

**USE FLEXIDRAFT™ TO
ENSURE DRAFT BEER
QUALITY AND SATISFIED
DRAFT CUSTOMERS!**

A NEW BEER LINE WITH EVERY KEG CHANGE!

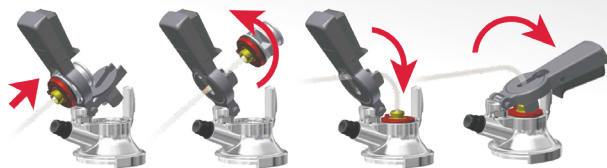


STEP 1

Open the FlexiDraft™ tower by pressing the two buttons. (Make sure the keg coupler is disconnected first.) The upper part will move forward by itself, then lift.

STEP 2

Drop the keg coupler end of the one-way beer line into the tower column. Fix the beer outlet end to the faucet nozzle. Close the tower lid; it will snap securely into place.



STEP 3

Push the beer end of the one-way line into the keg coupler. Place the keg coupler on the new keg and press the handle down to tap the keg.

**UNLEASH
THE POTENTIAL
OF
DRAFT BEER**



FLEXIDRAFT™

FlexiDraft™ is the revolutionary way to ensure draft beer quality. In minutes, the probe, beer line and faucet spout assembly is replaced with each keg change.

FLEXIDRAFT™ PRO-LINE® E-SERIES KEGERATOR

PART NO.	DESCRIPTION
MDD17-E-F-D	17-1/2" wide complete kegerator, includes tapping equipment, less gas cylinder
MDD23-E-F-D	25" wide Complete kegerator, includes tapping equipment, less gas cylinder

FLEXIDRAFT™ TOWER

PART NO.	DESCRIPTION
FD-T-1	FlexiDraft™ tower, 3" column

FLEXIDRAFT™ TOWER RETROFIT KIT

PART NO.	DESCRIPTION
FD-KIT-D	FlexiDraft™ Kit includes: tower, D-System coupler and 10 hose assemblies

FLEXIDRAFT™ COUPLERS

PART NO.	DESCRIPTION	SYSTEM	COLOR CODE
FD-C-D	U.S. Domestic / Craft	D	Green
FD-C-S	Heineken / Pilsner Urquell / Stella Artois	S	Blue
FD-C-A	Warsteiner / Spaten / Paulaner	A	Red
FD-C-G	Anchor Steam / Boddingtons	G	Red
FD-C-U	Guinness / Harp	U	Black

FLEXIDRAFT™ HOSE ASSEMBLY

PART NO.	DESCRIPTION	COLOR CODE
FD-H-D	FlexiDraft™ hose assembly – D System	Green
FD-H-S	FlexiDraft™ hose assembly – S System	Blue
FD-H-AG	FlexiDraft™ hose assembly – A and G Systems	Red
FD-H-U	FlexiDraft™ hose assembly – U System	Black
FD-FL	FlexiDraft™ faucet lock with pad lock	



MICROMATIC.COM



COMPANY ADDRESSES:

NORTHEAST SALES
 4601 Saucon Creek Rd
 Center Valley, PA 18034
 (610) 625-4464
 (610) 625-4466 (Fax)

SOUTHEAST SALES
 15111 Dispense Ln
 Brooksville, FL 34604
 (352) 799-6331
 (352) 796-2429 (Fax)

CENTRAL SALES
 10726 North Second St
 Machesney Park, IL 61115
 (815) 968-7557
 (815) 968-0363 (Fax)

WEST SALES
 19791 Bahama St
 Northridge, CA 91324
 (818) 701-9765
 (818) 701-9844 (Fax)



© Micro Matic USA, Inc. 2019 This document was created by Micro Matic USA, Inc. and includes copyrighted material, trademarks and other proprietary information owned by Micro Matic USA, Inc. All rights reserved. The document may not be reproduced or copied in any form or by any means such as graphic, electronic or mechanical, including photocopying without the prior written permission of Micro Matic USA, Inc. All information and specifications are for information only and are subject to change without further notice.